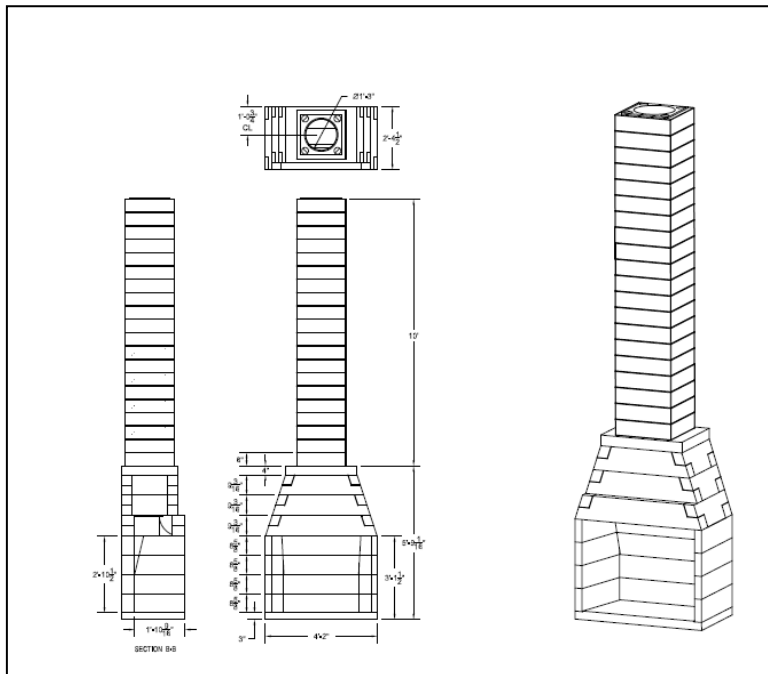


FireRock

INSTALLATION AND SPECIFICATION MANUAL

LISTED MASONRY FIREPLACE SYSTEM
MODEL FIRE ROCK 30, 36, 42, 48 INCH MODULAR FIREPLACES

LISTED VENTLESS FIREBOX ENCLOSURE
MODEL FireRock 30 VF, 36 VF, 42 VF, 48 VF



U.L. 127 Compliant



**Before installing this product please consult with local building and zoning authorities regarding the need for proper permitting.
INSTALLER: LEAVE THIS MANUAL WITH THE APPLIANCE
CONSUMER: RETAIN THIS MANUAL FOR FUTURE REFERENCE**

MANUFACTURING:
**3620 AVENUE C
BIRMINGHAM, AL**

ADMINISTRATIVE
**PO BOX 272
BIRMINGHAM, AL 35064**

Phones: 205-639-5000

Toll-free: 1-888-876-1025

Fax: 205-639-5015

FireRock

Intended product Usage.....	1
Infield Application.....	3
Operating Instructions.....	6
Fireplace Dimensions.....	8
Foundation Installation.....	10
Firebox Assembly Installation.....	12
Smoke Chamber Assembly Installation.....	14
Framing Dimensions.....	16
Typical Sheet- Rocking.....	17
Multi-Floor Stacking Diagram.....	18
Metal Chimney Alternative.....	19
Bricking Flange.....	20
Vent - Free Model.....	22
Parts List with Quantities.....	24
Parts.....	25

INTENDED PRODUCT USAGE

The Fire Rock fireplace is designed to burn wood, gas, or coal. This fireplace is not designed, in its wood or coal burning version, to sit directly on or abutting a combustible surface. The fireplace must be installed within the clearances found in this manual on page 5. This product is designed to work with the Fire Rock Solid Block masonry flue system or any, appropriately sized, UL – 103 compliant, metal prefabricated flue system. The metal flue system manufacturer must offer an Anchor Plate specifically designed for the purposes of attaching the metal flue to the masonry fireplace. Installation of the chimney must conform to the manufacturer's installation instructions. It is appropriate and necessary to use standard and traditional roof flashing, dampers, lintels, and support walls, where appropriate, in the installation of a Fire Rock fireplace. The use of improper parts or parts not recommended herein can be hazardous.

“USE SOLID WOOD, PLUMBED PROPANE OR NATURAL GAS FUEL ONLY” GAS LOGS MUST BE LISTED BY A.N.S.I. Z21.11.2 OR A.N.S.I. Z21.60.

“DO NOT USE A FIREPLACE INSERT OR OTHER PRODUCT NOT SPECIFIED FOR USE WITH A FIREPLACE WITH THE REFLECTIVE POPERTIES OF THIS PRODUCT.”

***** WARNING *****

ANY FIREPLACE INSERT MUST BE APPROVED, IN WRITING, BY FIRE ROCK PRODUCTS, LLC. FAILURE TO HEED THIS WARNING COULD RESULT IN FAILURE OF THIS PRODUCT AND/OR THE INSERT PRODUCT.

***** WARNING *****

DO NOT PACK AIR SPACES WITH INSULATION OR OTHER MATERIALS

ALWAYS OBTAIN NECESSARY PERMITS FROM PROPER AUTHORITIES IN LOCAL JURISDICTIONS AND COMPLY WITH ALL LOCAL BUILDING CODES

WARNING: If the information in this manual (including Installation instructions) is not followed exactly, a fire or explosion may result causing property damage, personal injury, or loss of life.

IMPROPER INSTALLATION

Improper installation or misuse of this product can cause:

- 1. Failure of fireplace due to overheating**
- 2. Combustion of materials adjacent to the fireplace**
- 3. The emission of smoke, sparks, or hazardous gases into the house**
- 4. Leakage of rainwater into the house**
- 5. Cracks due to improper footings and foundations or settling**

(the remainder of this page intentionally left blank)

IN – FIELD APPLICATION

A. MIXING MORTAR FOR FIRE ROCK INSTALLATION

The mortar used when installing the Fire Rock fireplace and chimney system is available from your Fire Rock dealer or distributor, the same dealer that sold you the Fire Rock system.

This specially formulated mortar is low sand, polymer modified with heat resistant additives and is designed to work as a “glue” rather than a typical joint provider.

This mortar must be used for your Fire Rock Warranty to be valid.

It is appropriate to use a trowel or grout bag to apply the mortar to firebox and smoke chamber joints. This material is to be mixed according to the instructions on the bag and troweled directly from the mixing pail. These joints should be completely covered and the components stacked so as to result in a 1/16th to 1/8th inch joint and the excess mortar should push (ooze) out and be scraped away. Use this product as an adhesive rather than a traditional mortar, the thin coating described above (1/16th to 1/8th inches thick) will work best.

Upon completion of the firebox and smoke chamber it is important to go back and “butter” all joints. This procedure involves a final smoothing, inside and out, sealing all joints and assuring a “no leak” installation.

B. FIREBRICK LINING THE FIREBOX

A 1 ¼” minimum firebrick (ASTM 1261) lining is required for an acceptable fire safety level. The same Fire Rock mortar used for the firebox and chimney may be used to affix the firebrick to the inner wall of the firebox. The firebrick may be installed one of two ways.

- 1) Troweled joints: The mortar may be troweled on to the face of the firebrick at a thickness of 1/16th to 1/8th inch and stuck to the presoaked inner wall of the firebox.
- 2) Dipped joints: Add enough clean (suitable for drinking) water to the mixed mortar to achieve a consistency that a typical firebrick floats with roughly 40% of its mass above the surface. Too much water will reduce strength.

A “brick to brick” (no mortar joints) installation will be the strongest; a mortar joint is a weak spot.

The mortar will not develop its full strength until completely cured.

IN – FIELD APPLICATION (cont.)

C. BROKEN COMPONENTS

Components that become broken due to poor handling or shipping should be mortared back together providing the breaks or cracks are clean and original alignment and dimension can be maintained. Components broken into multiple pieces or fragments must be discarded and replaced.

D. HINTS



- a. If this is your first Fire Rock installation, it would only take a few extra minutes to “dry stack” (erect without mortar) your firebox to gain a better understanding of how the components go together. Then disassemble and erect using Fire Rock Adhesive Mortar.
- b. Use a level to assure all components are level and plumb as you erect your fireplace and chimney.
- c. Assure your baseplate is level and at a proper elevation so the finished hearth height (including firebrick lining) is correct in relationship to your finished floor height.
- d. Realize that this is a two man job. Some of these components are too heavy for one man to lift.
- e. ALWAYS INSTALL IN ACCORDANCE WITH LOCAL CODES

E. GAS LINE APPLICATIONS

The Fire Rock fireplace may be drilled through with an ordinary masonry drill bit to accommodate a natural gas connection. This natural gas connection may be used to 1) incorporate an automatic shut-off device and/or 2) comply with the Standard for Decorative gas appliances for installation in Vented Fireplaces, ANSI Z 21.60 or ANSI Z 21.11.2 The decorative gas appliance should be installed in accordance with the National Fuel Gas Code, ANSI Z223.1.

IN – FIELD APPLICATION (cont.)

CLEARANCE REQUIREMENTS MAY BE LOCATED ON PRODUCTS LABEL ON EACH FIREBOX

  W/N 13350	LISTED MASONRY FIREPLACE SYSTEM		
	MODEL FireRock FIREPLACE 30", 36", 42", 48" COMPLIES WITH APPLICABLE REQUIREMENTS OF UL-127		
	<div style="border: 1px solid black; padding: 2px; display: inline-block;">WHI-</div>		
	SEE FIRE ROCK'S INSTALLATION AND OPERATING INSTRUCTIONS FOR THIS MODEL		
CLEARANCES TO COMBUSTIBLES			
UNIT TO SIDE ENCLOSURE	1"	UNIT TO BACK ENCLOSURE	1"
UNIT TO FACE ENCLOSURE	1"	UNIT TO CEILING JOISTS	1"
OPENING TOP TO COMBUSTIBLE MANTEL	16"	OPENING TO SIDEWALL	28"
OPENING TO COMBUSTIBLE FACEWALL	12"		
MANUFACTURED BY: FIRE ROCK PRODUCTS, LLC; 3620 AVENUE C; BIRMINGHAM, AL 35064			

If processed solid fuel logs are used:

DO NOT USE DIRECTLY ON FIREPLACE HEARTH, ALWAYS USE GRATE OR ANDIRONS

DO NOT POKE OR STIR THE LOGS WHILE THEY ARE BURNING, USE ONLY FIRELOG PRODUCTS WITH WARNINGS AND CAUTION MARKINGS ON PACKAGING PRIOR TO USE

***** CAUTION *****

**WHEN USING A DECORATIVE APPLIANCE, THE FIREPLACE DAMPER
MUST BE SET IN THE FULLY OPEN POSITION**

OPERATING INSTRUCTIONS

This Section of the manual is to help you get maximum efficiency and maximum smoke (particulate) reduction from your Fire Rock fireplace. If you should experience any difficulty or have any questions concerning your fireplace contact your dealer/distributor or the Technical Desk at Fire Rock Products, LLC.

The manufacturer's recommendation for peak performance is to burn seasoned hardwood (wood that has been cut and dry for 6 – 12 months) and place wood from side to side in the firebox.

The manufacturer recommends a log grate be used in your fireplace for maximum performance. The use of andirons is acceptable.

Building a fire for maximum efficiency: Because these fireplaces burn wood and extract heat so efficiently a large fire will not only waste energy it usually will result in the home being too warm for individual comfort.

THE FOLLOWING GUIDE WILL SERVE AS A GUIDE FOR OPERATING YOUR FIREPLACE

Building A fire without a log lighter:

- 1) Open the damper by pushing the damper handle up toward the top of the fireplace. The damper handle is located in the top center of the firebox and extends down into the firebox.
- 2) Twist 4 – 5 pieces of non-colored newspaper in a roll and place on the floor or grate of the firebox
- 3) Lay several pieces of kindling on top of the newspaper
- 4) Place 3 or 4 pieces of firewood on top of the kindling
- 5) Light the newspaper

Building a fire with a log lighter

- 1) Open the damper as explained above
- 2) Lay several pieces of kindling across the log grate or andirons
- 3) Place 3 – 4 pieces of firewood on top of the kindling
- 4) A key near the front of the fireplace or on the hearth controls the gas to the log lighter. Turn the key on and light the log lighter with a long fireplace match. Once the logs are burning well, turn the log lighter off.

OPERATING INSTRUCTIONS (cont.)

Disposal of Ashes

Ashes should be placed in a metal container with a tight fitting lid. The closed container of ashes should be placed on a noncombustible floor or on the ground well away from all combustible materials, pending final disposal. If the ashes are disposed of by burial in soil or otherwise locally dispersed, they should be retained in the closed container until all cinders have thoroughly cooled.

Creosote Removal and Need for Removal

When wood is burned slowly, it produces tar and other organic vapors that combine with expelled moisture to form creosote. The creosote vapors condense during the cooling experienced while combustion by-products ascend up the chimney. This condensed creosote accumulates on the flue lining. When ignited, this creosote makes an extremely hot fire. The chimney should be inspected each year prior to the heating season to determine if creosote build-up has occurred. If a significant layer of creosote has accumulated (1/8th inch or more) it should be removed to reduce the risk of chimney fire.

The use of grates and/or andirons is recommended, not required, in Fire Rock fireplaces.

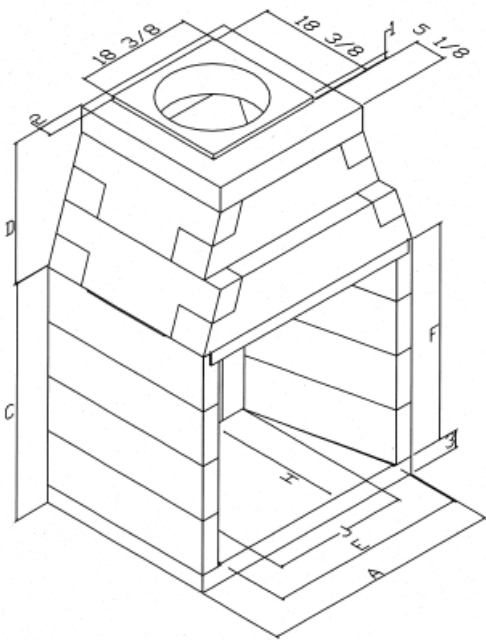
***** CAUTION *****

KEEP THE FRONT OF THE FIREPLACE CLEAR OF ALL COMBUSTIBLE MATERIALS

NEVER USE GASOLINE, GASOLINE TYPE LANTERN FUEL, KEROSENE CHARCOAL LIGHTER FLUID, OR SIMILAR LIQUIDS TO START OR "FRESHEN UP" A FIRE IN THIS FIREPLACE. KEEP ALL SUCH LIQUIDS WELL AWAY FROM THE FIREPLACE WHILE IT IS IN USE.

IF PROCESSED SOLID FUEL LOGS ARE USED: DO NOT POKE OR STIR THE LOGS WHILE THEY ARE BURNING. USE ONLY FIRE LOGS THAT HAVE BEEN EVALUATED FOR THE APPLICATION IN FIREPLACE AND REFER TO FIRE LOG WARNINGS AND CAUTION MARKINGS ON PACKAGING PRIOR TO USE

KEEP THESE INSTRUCTIONS FOR FUTURE USE



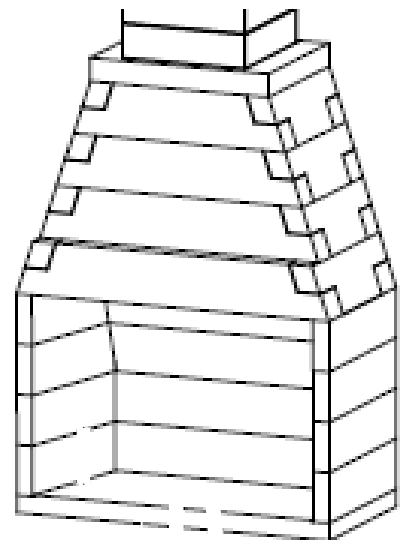
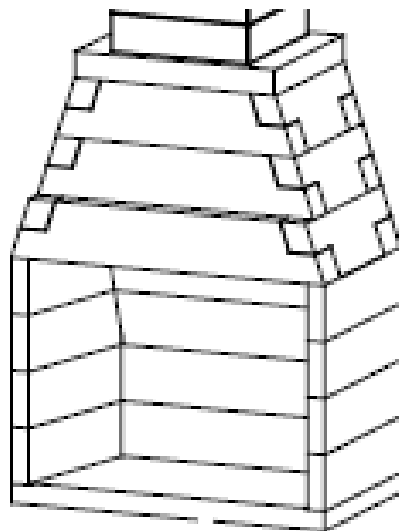
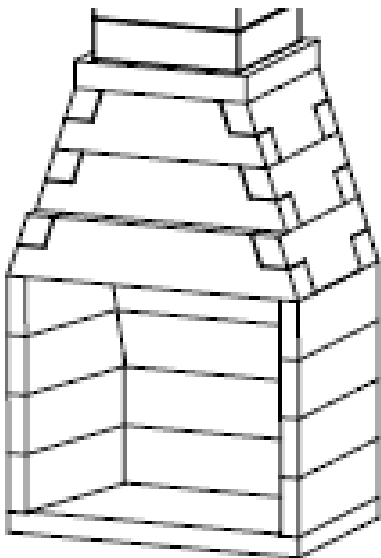
	30"	36"	42"	48"
A OVERALL WIDTH	38"	44"	50"	56"
B OVERALL DEPTH	28 1/2"	28 1/2"	28 1/2"	28 1/2"
C FIREBOX HEIGHT	38"	38"	38"	38"
D SMOKE CHAMBER HEIGHT	23"	32 1/2"	32 1/2"	42"
E OPENING WIDTH*	32 1/2"	38 1/2"	44 1/2"	50 1/2"
F OPENING HEIGHT*	34"	34"	34"	34"
WIDTH AT CHIMNEY BASE	26"	26"	32"	32"
H FIREBOX DEPTH	22 1/2"	22 1/2"	22 1/2"	22 1/2"
J FIREBOX WIDTH AT REAR	22"	28"	34"	40"
MINIMUM FRAMING WIDTH	40"	46"	52"	58"
HEIGHT TO 1" HEADER	48"	48"	48"	48"
FRAMING DEPTH	29 1/2"	29 1/2"	29 1/2"	29 1/2"

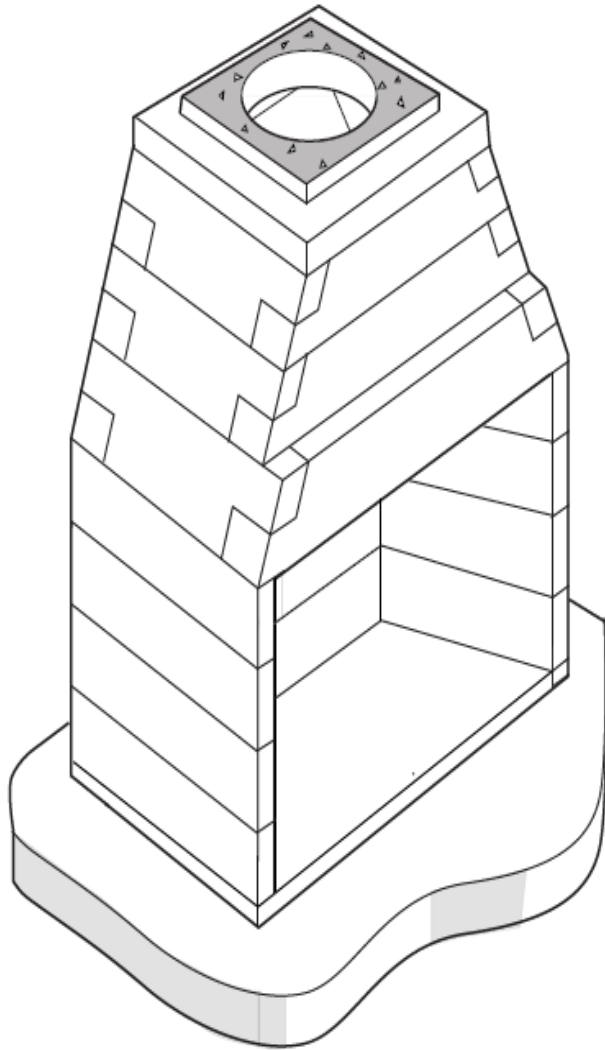
*Before fire brick lining

36"

42"

48"





STEP ONE - FOUNDATION

NOTE

When used as an unvented gas appliance enclosure (page 21-22) no special foundation requirements apply.

The Fire Rock fireplace must be erected on a non-combustible base with a non-combustible 24" hearth extension in front of the firebox opening and at least 8" on either side of the firebox opening.

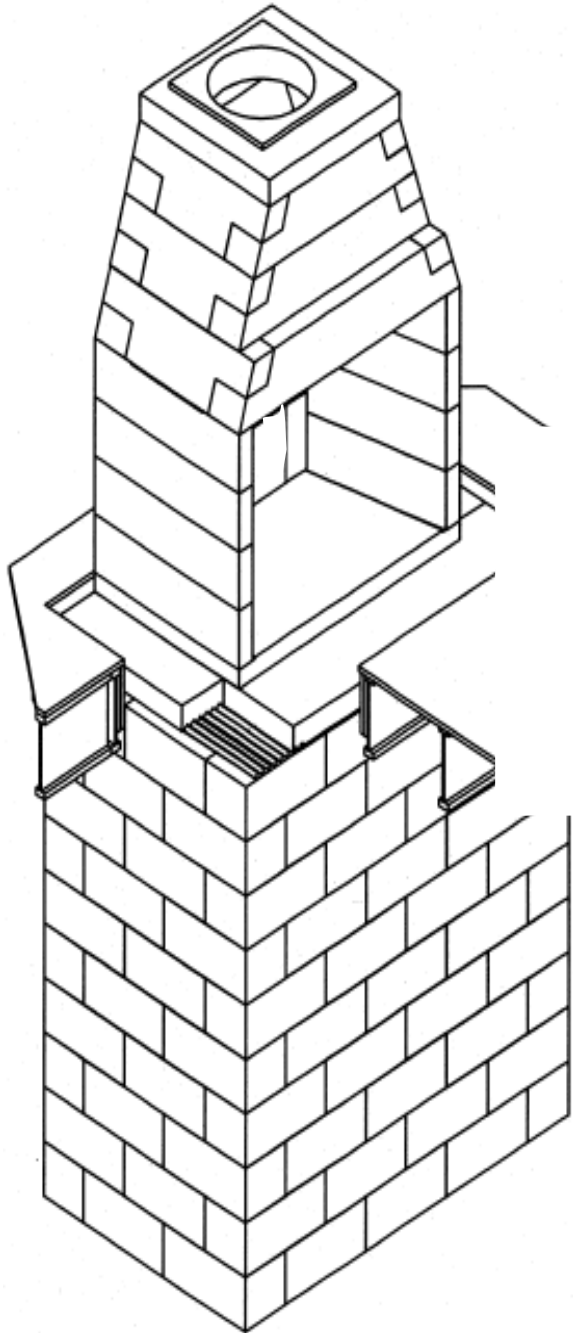
A concrete slab installation can be achieved with or without the Fire Rock firebox baseplate. In order to achieve the correct finished hearth height, you may elect to chalk line the outer dimensions and erect the side blocks directly on the slab.

NOTE

If an outside air kit is to be used in your installation, the cuts must be made in the side block before installation. Local codes must be followed and supersede this manual.

FOUNDATION (cont.)

The non-combustible base is best made from a 6" concrete slab poured on top of corrugated metal suspended over concrete block (erected steel may be substituted). Once this decking is completed it is again up to you whether you use the Fire Rock base plate or not.

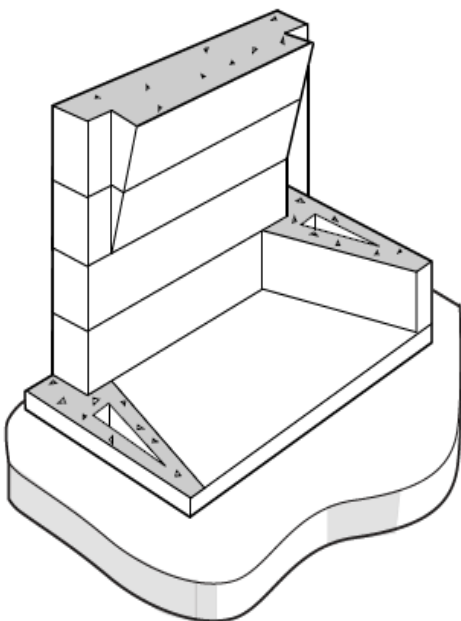
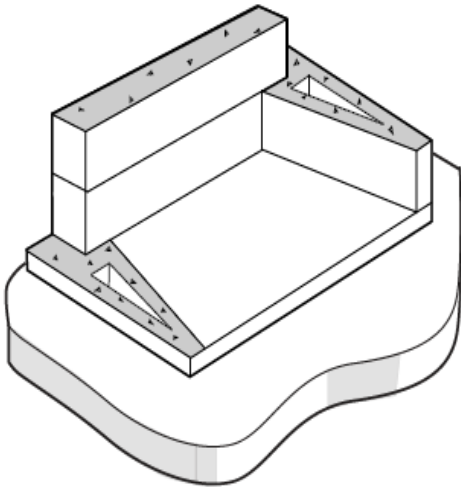
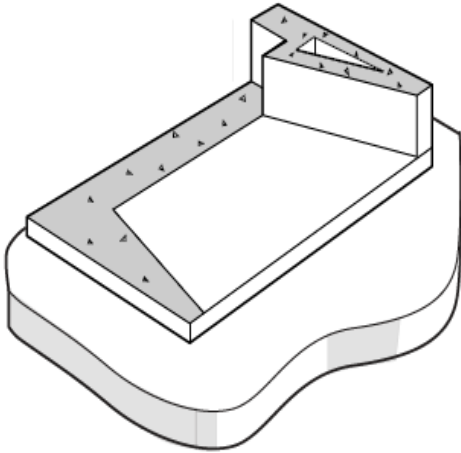


Framing Consideration

A rough opening in the floor system for a single box installation would be 72" wide and 54" deep.

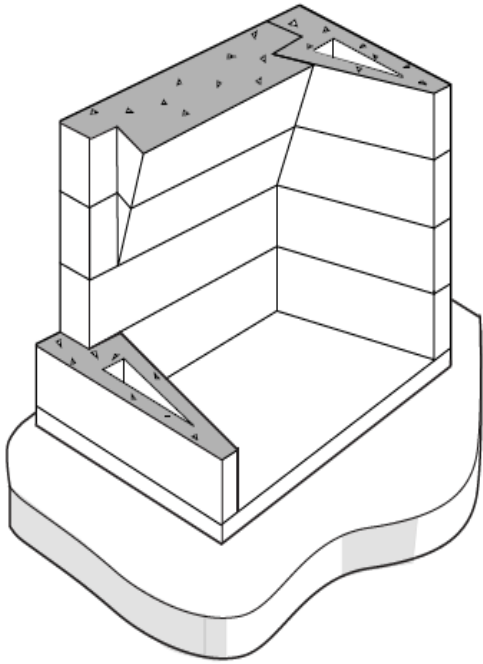
STEP TWO – FIREBOX ASSEMBLY

The base plate must be placed on a level non-combustible surface. It is very important that your base plate be square to the room, properly centered and level. In the event you opt not to use the base plate carefully chalk lines where the base plate would be to assure proper placement of your firebox.



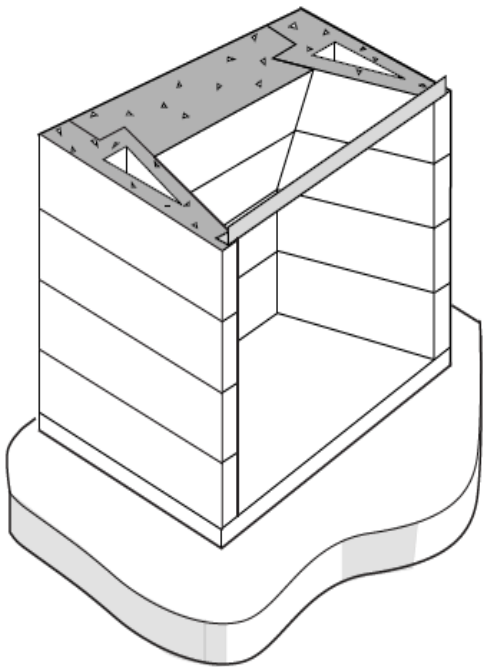
Sides and backs are next. Place a bead of mortar at least one inch thick where each edge of each component will lie or butt up against another component. Use your level to assure level and plumb placement of each component.

You will begin by placing a sideblock on the baseplate at the side where you wish to begin. After placing a sideblock you will place the corresponding cornerback.



Please be sure all surfaces are plumb and level and firebox position is correct.

Butter all joints inside and out.



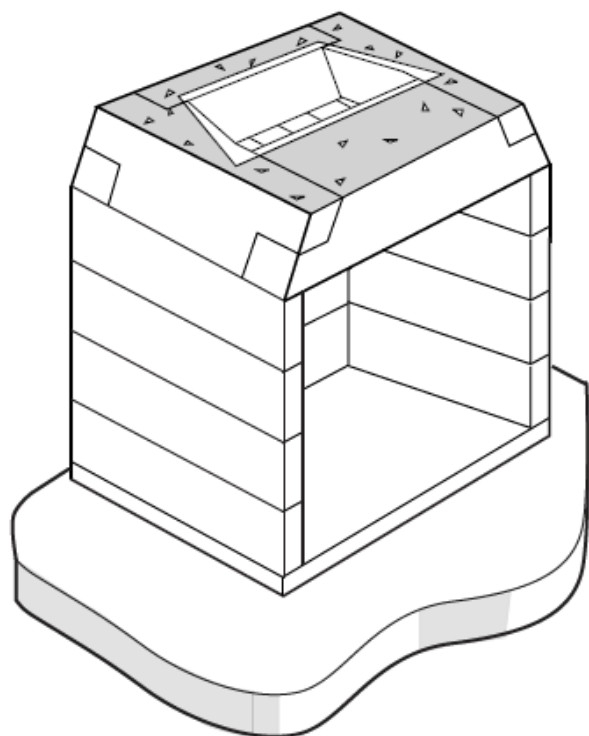
*** Installation Hint ***

With the firebox complete and the smoke chamber not started you now have the easiest access to the lining of the firebox. You may want to take this opportunity to line the firebox with firebrick.

*** NOTE ***

If you are erecting an unvented firebox enclosure, please skip to page 21.

STEP THREE- SMOKE CHAMBER



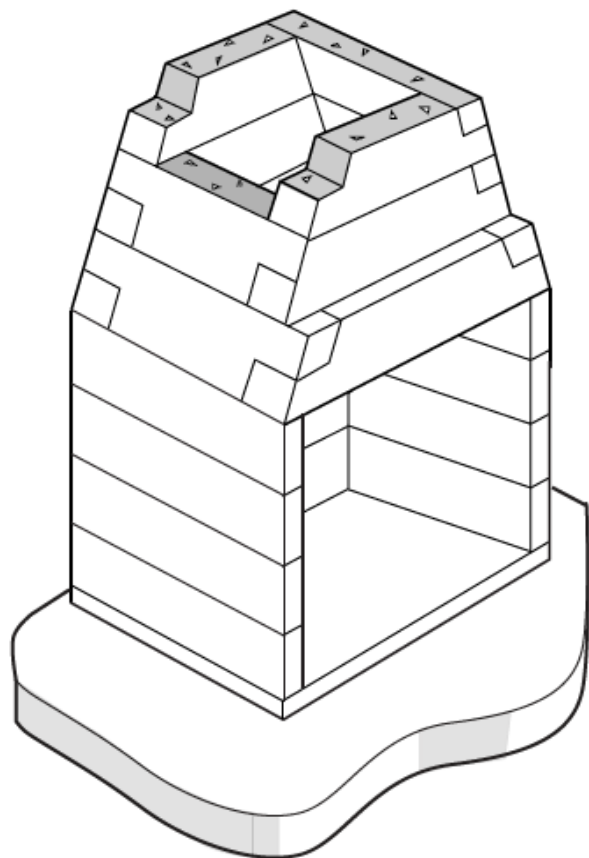
A piece of 2" x 2" x 1/4" angle steel has been provided with your Fire Rock fireplace kit and should be installed across the top of the firebox opening. (angle up for maximum firebox opening, angle down for additional "smoke lip")

SETTING THE DAMPER

Upon setting the 4 throat components a recess is formed for the purpose of locating the damper.

DO NOT MORTAR THE DAMPER

Each fireplace uses a different size damper



30" Firebox	24" damper
36" Firebox	30" damper
42" Firebox	36" damper
48" Firebox	42" damper

The smoke chamber components can only be positioned one way. The fronts and backs are identical above the damper. Be sure to check for and maintain plumb and level installation of these components.

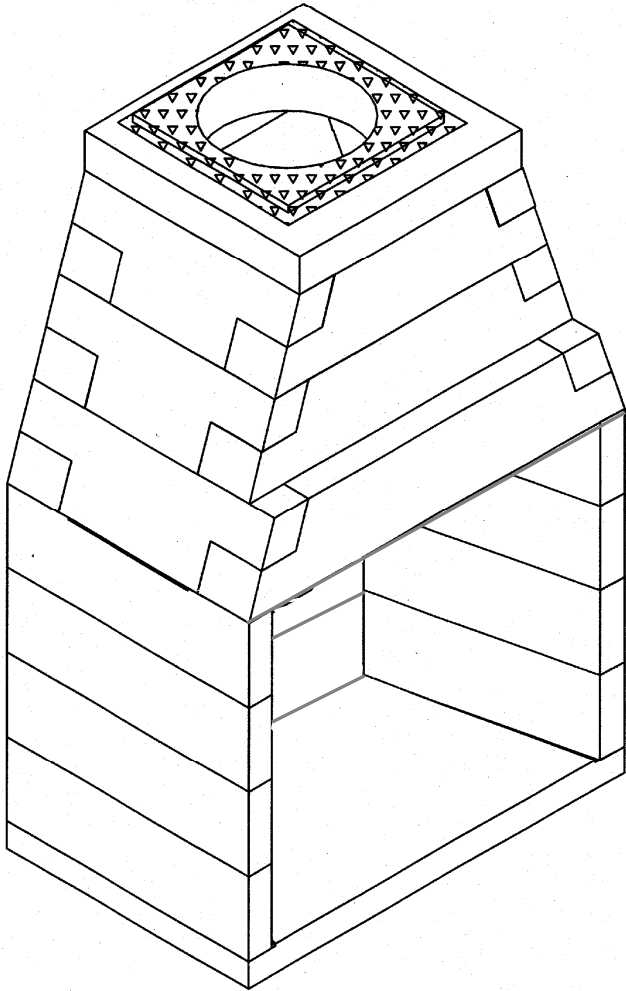
"Butter" all joints to give a smooth appearance and to assure a leak free joint.

FIREBOX / SMOKE CHAMBER COMPLETION

The final component of the smoke chamber is the part that transitions from smoke chamber to chimney. Place a large bead of mortar before placing this final component and be sure it is level front to back and side to side.

The 15" flue hole should be positioned toward the back of the smoke chamber.

"Butter" all joints to assure a no leak seal.

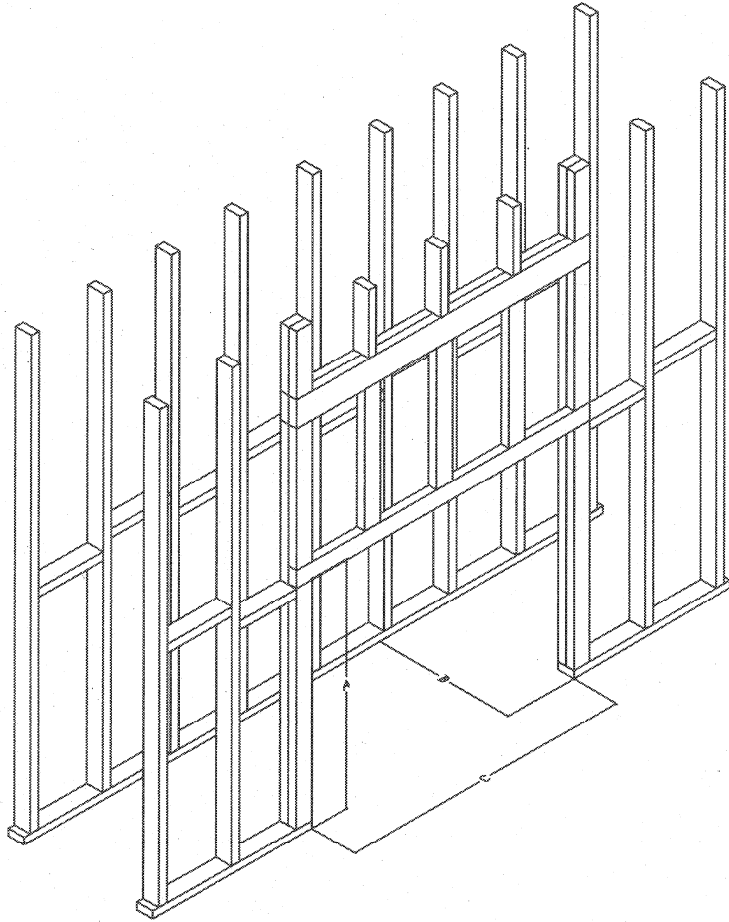


CHIMNEY INSTALLATION

Fire Rock "Solid Block Chimney" may be installed from this point, being sure enough mortar is used between each chimney block component that a no leak joint is created.

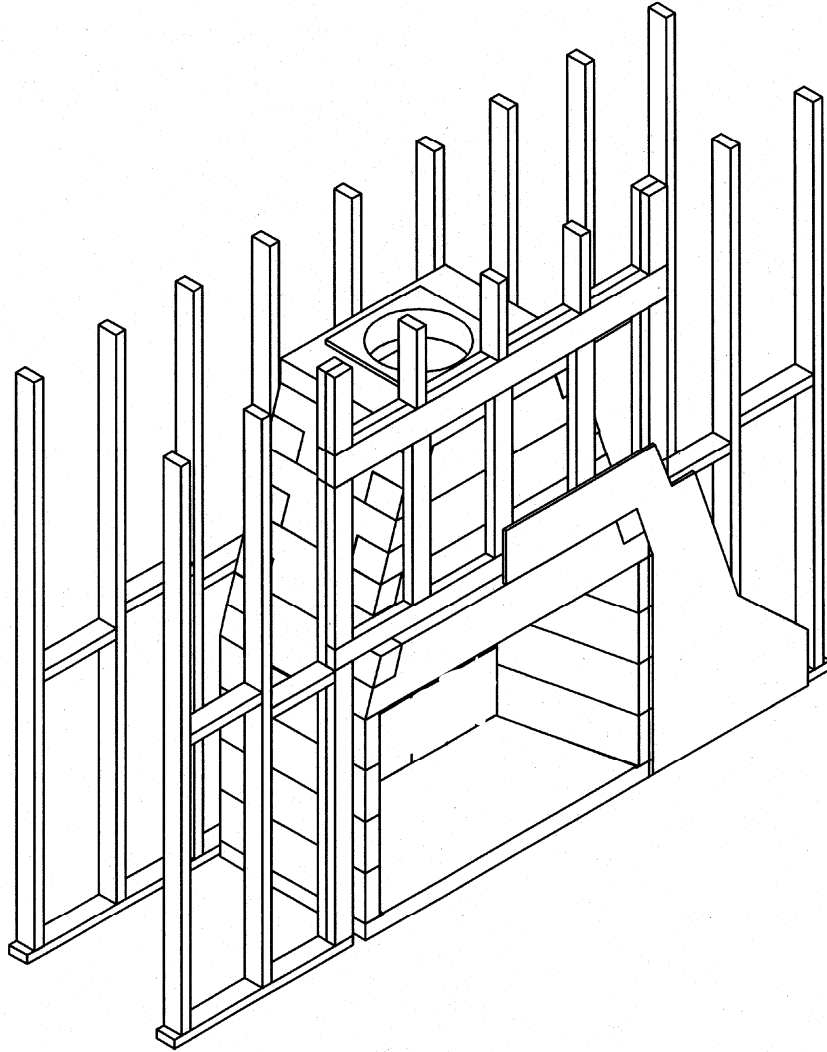
Metal chimney may be used as well, please refer "Metal Chimney Installation" page.

FRAMING DIMENSIONS



FIRE BOX SIZE				
	30	36	42	48
A	48	48	48	48
B	29 ^{1/5}	29 ^{1/5}	29 ^{1/5}	29 ^{1/5}
C	40	46	52	58

TYPICAL GYPSUM BOARD APPLICATION



CHIMNEY CHASE ABOVE ROOFLINE CAN BE ADDED THE SAME AS BELOW THE ROOFLINE.

FIELD MODIFICATION

ROOFLINE

CHIMNEY

THE CHIMNEY HAS BEEN TESTED AND IS APPROVED FOR "ZERO CLEARANCE" TO FRAMING. A FIRESTOP IS NOT REQUIRED UNLESS THE CLEARANCE IS GREATER THAN 1/2 INCH.

CHIMNEY STACK

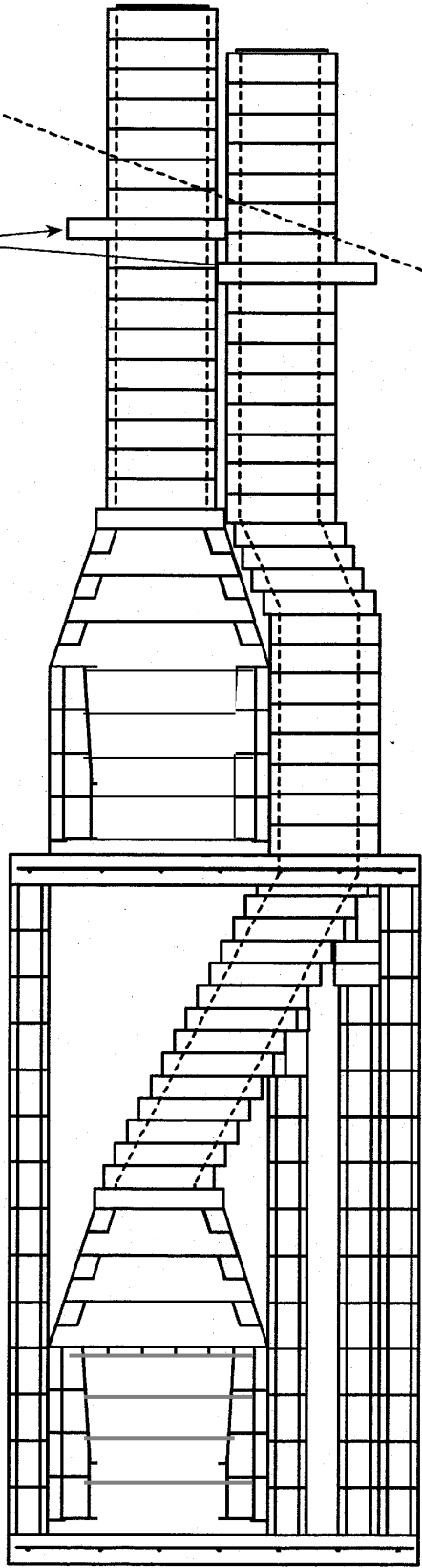
THE CHIMNEY SHALL BE STACKED IN A LEVEL POSITION USING THE CHIMNEY NESTING FEATURES. THE INSIDE FACE OF THE CHIMNEY SHOULD BE "BUTTERED" TO ASSURE A NO-LEAK SEAL.

6" REINFORCED CONCRETE PAD WITH #4 REBAR AT 8" ON CENTER EACH WAY

1" CLEARANCE REQUIRED AT JOISTS ABOVE FIREBOX IF APPLICABLE.

8' @ 30" ANGLE
MAXIMUM HORIZONTAL OFFSETS ARE TO BE SUPPORTED BY BLOCK OR STEEL.

REINFORCED CONCRETE FOOTING WITH #4 REBAR AT 12" ON CENTER EACH WAY.

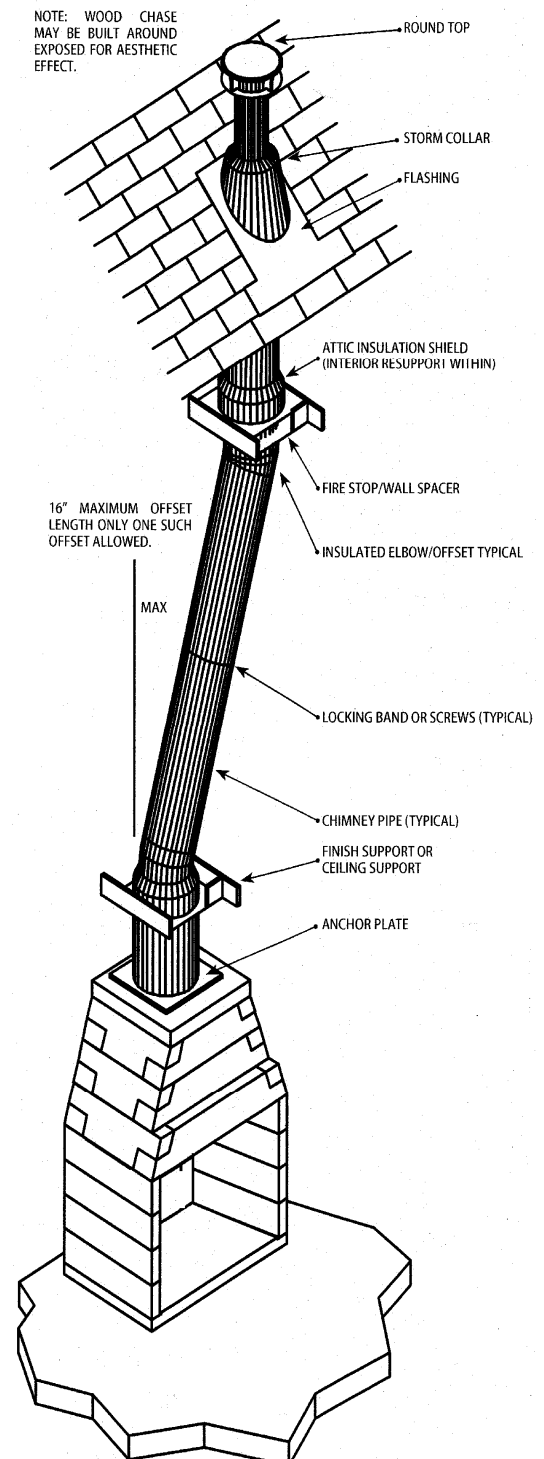


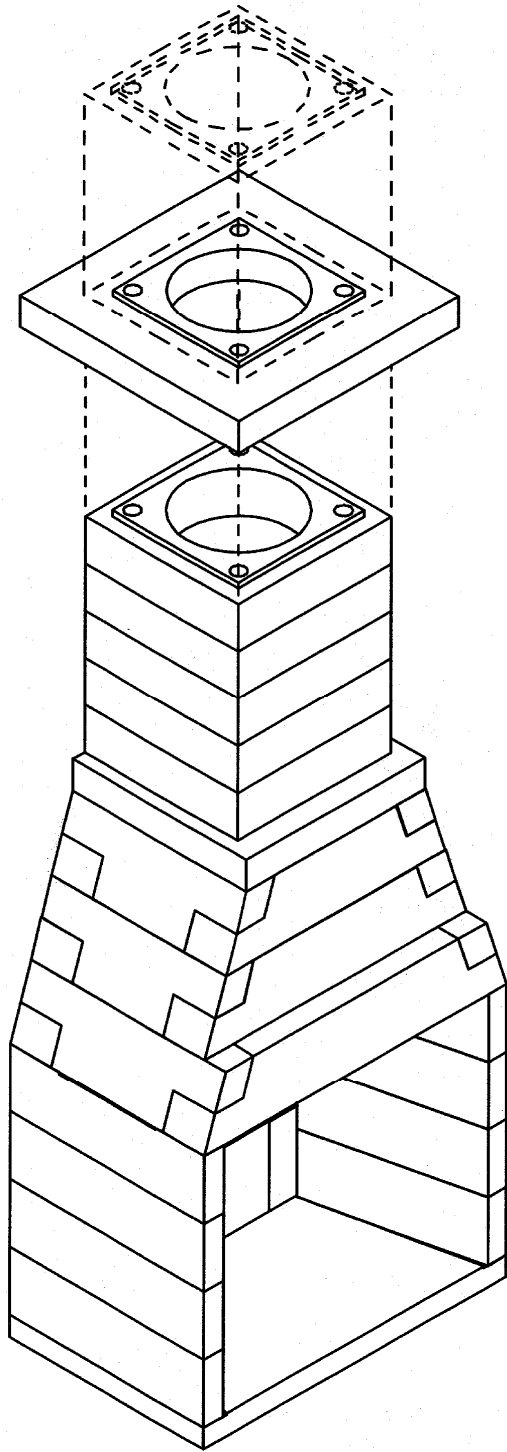
METAL CHIMNEY INSTALLATION

Any metal chimney that carries a U.L.103 compliance designation may be used with your Fire Rock fireplace and chimney system.

A conversion adaptor must be available from the metal chimney manufacturer and all necessary components including, but not limited to, fire stops, wall spacers, and insulating parts must be utilized as required by the manufacturer.

All local building codes must be adhered to as well.





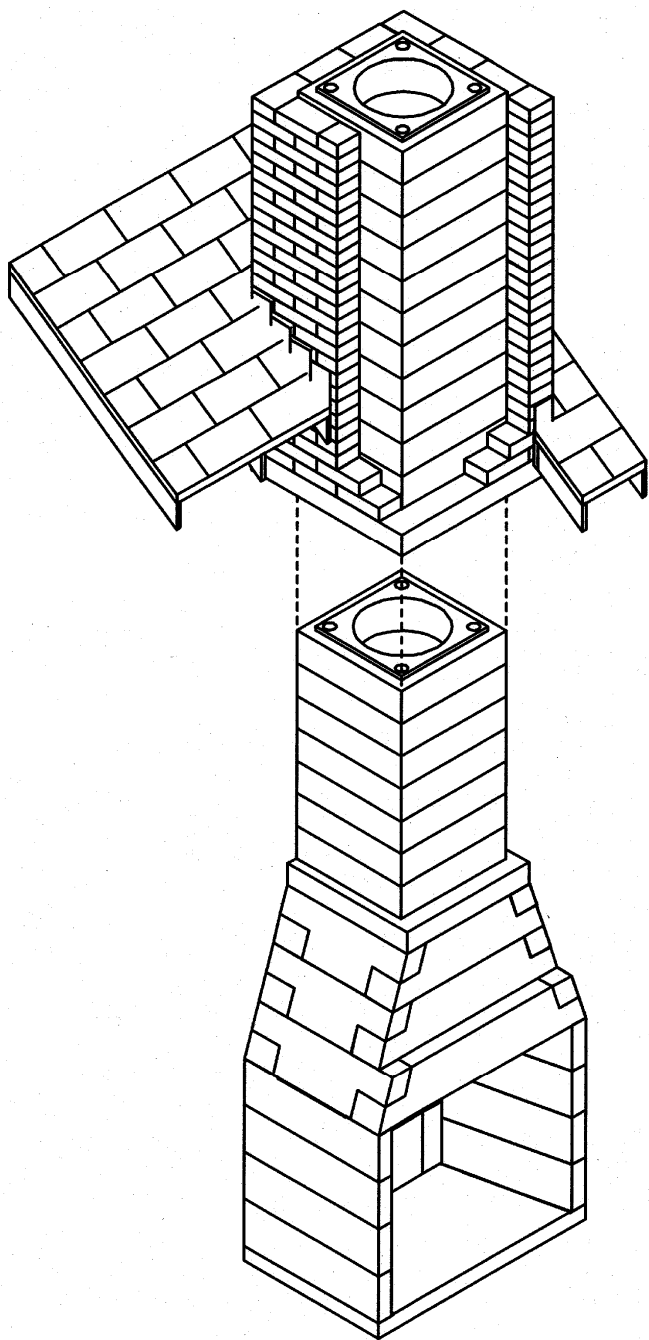
Bricking Flange

The Fire Rock Bricking Flange is a component that allows a true brick or stone veneer above the roofline.

Most local building codes do not allow masonry to be supported by combustible material. Our bricking flange is designed to carry the weight of a brick or stone veneer only where you see it.

This bricking flange is installed in the chimney stack approximately 12" below the low side of the roof penetration.

The bricking flange is cast with a male and female nesting mechanism to assure a no leak seal.



FLASHING FOR THE BLOCK CHIMNEY SHOULD BE DONE BY A QUALIFIED ROOFER. CHIMNEY SHALL BE TERMINATED AT A POINT 2 FEET ABOVE 10 FEET HORIZONTAL FROM NEAREST ROOFLINE.

VENTLESS FIREBOX ENCLOSURES
For GAS DECORATIVE TYPE UNVENTED ROOM HEATERS

This page and the page immediately following in this manual provide information regarding the Ventless Firebox Enclosures for Gas Decorative Type Unvented Room Heaters as provided for in U.S. Test Standard IAS 2-97. Any installation of this Fire Rock product must conform with local codes or in the absence of local codes, with the National Fuel Gas Code, ANSI Z 223.1 (NFPA 54)

Testing provided by:



**FOR USE ONLY WITH
DECORATIVE TYPE UNVENTED
ROOM HEATERS**

DO NOT BUILD A WOOD FIRE

Carefully review the instructions supplied with
The decorative type unvented room heater for the minimum fireplace
requirement.

**DO NOT INSTALL THE APPLIANCE IN THIS FIREBOX UNLESS THIS
FIREBOX MEETS THE MINIMUM DIMENSIONS REQUIRED**

WARNING: If the information in this manual is not followed exactly, a fire or explosion may result causing property damage, personal injury, or loss of life.

PLEASE REMEMBER:

1. When the enclosure is to be installed on carpeting, tile, or other combustible material other than wood flooring, the enclosure shall be installed on a metal or wood panel extending the full width and depth of the enclosure.
2. This product, when coupled with a correct unvented gas appliance, requires combustion air as well as ventilation. Be sure to have adequate combustion and ventilation air.
3. If replacement parts are needed please contact the manufacturer of the appliance.

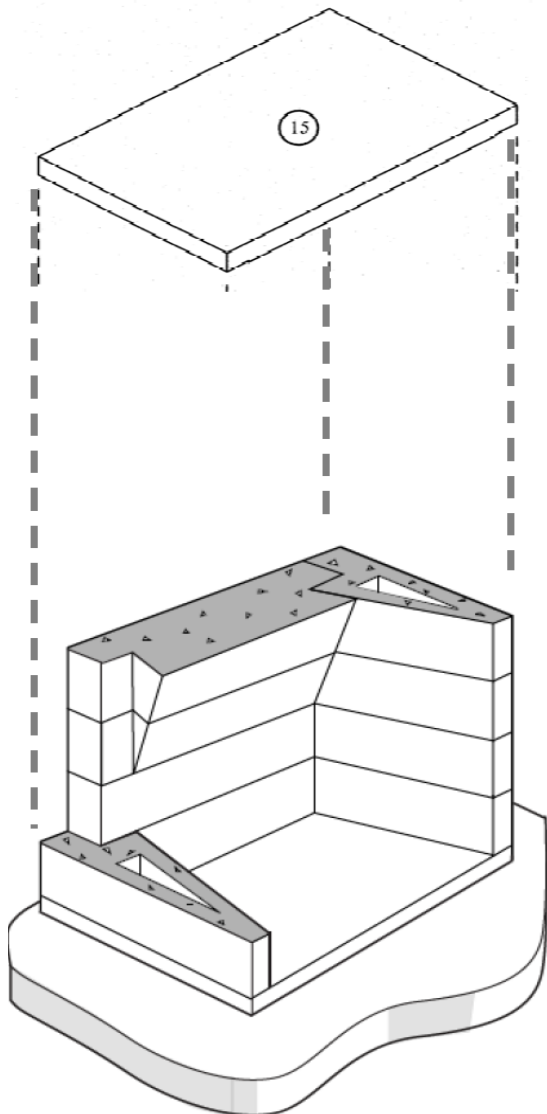
CLEARANCES TO COMBUSTIBLES

The Fire Rock Vent-free firebox must be installed with the following clearances to combustibles:

Unit to floor	0 in.	Unit to side framing	0 in.
Unit to backwall	0 in.	Unit top at rear to framing	0 in.
Unit top at front to framing	3.5 in.	Unit opening to ceiling or mantle	12 in.
		Unit opening to adjacent wall	6 in.

The front surface at the bottom and sides must be covered with non-combustible material. The front surface at the top must be covered with non-combustible material that extends three (3) inches above the top of the structure. Any header above the top at the front of the unit must be non-combustible material.

VENT-FREE VERSION



The Fire Rock fireplace look can also be achieved with a vent-free model.

The vent-free firebox assembles the same way as the traditional model.

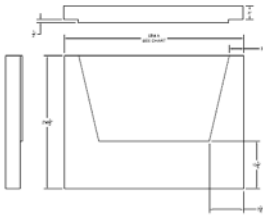
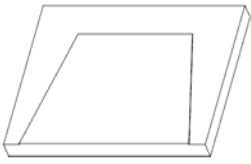
The vent-free enclosure is available in 30", 36", 42" and 48" firebox openings.

***** CAUTION *****

THIS PRODUCT MUST BE COMBINED WITH AN A.N.S.I. APPROVED VENT-FREE GAS LOG APPLIANCE. PLEASE CONSULT WITH YOUR GAS LOG DEALER TO BE SURE YOUR GAS LOG APPLIANCE IS DESIGNATED FOR "VENTFREE" OPERATION.

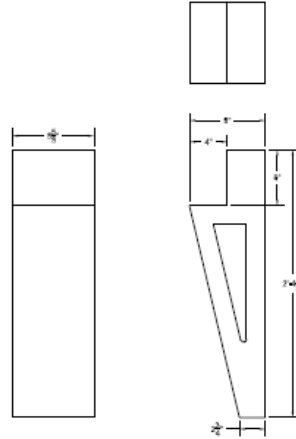
		Vent- less 30	Vent- less 36	Vent- less 42	Vent- less 48	Conv' l 30	Conv'l 36	Conv'l 42	Conv'l 48
	38" Baseplate	1				1			
	44" Baseplate		1				1		
	50" Baseplate			1				1	
	56" Baseplate				1				1
	38" Top plate	1							
	44" Top plate		1						
	50" Top plate			1					
	56" Top plate				1				
	Firebox side	8	8	8	8	8	8	8	8
	Backwall 30-4	1				1			
	Backwall 30-3	1				1			
	Backwall 30-1-2	2				2			
	Backwall 36-4		1				1		
	Backwall 36-3		1				1		
	Backwall 36-1-2		2				2		
	Backwall 42-4			1				1	
	Backwall 42-3			1				1	
	Backwall 42-1-2			2				2	
	Backwall 48-4				1				1
	Backwall 48-3				1				1
	Backwall 48-1-2				2				2
	38 Radius Throat front					1			
	38 Throat Back					1			
	44 Radius Throat front						1		
	44 Throat Back						1		
	50 Radius Throat front							1	
	50 Throat Back							1	
	56 Radius Throat front								1
	56 Throat Back								1
	Throat side					2	2	2	2
	32 Smoke Chamber face					2	2		
	38 Smoke Chamber face						2	2	2
	44 Smoke Chamber face							2	2
	50 Smoke Chamber face								2
	Smoke Chamber side					2	4	4	6
	Chimney Base, Large					1	1		
	Chimney Base, Small							1	1
	Total	14	14	14	14	22	26	26	30

Baseplate / Top Plate

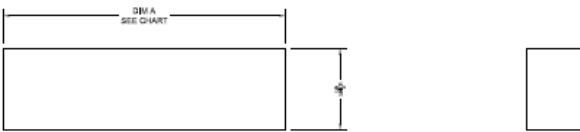


FIREPLACE SIZE	DMA
32"	38
38"	44
42"	50
48"	56

Firebox Side



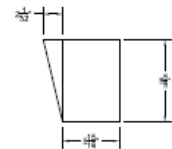
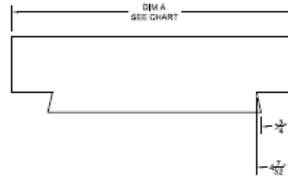
Firebox Backwall - 1 - 2



USED ON CONVENTIONAL AND VENT FREE

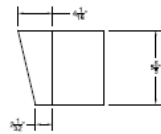
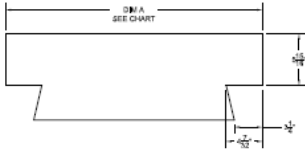
FIREPLACE SIZE	DMA
32	38 3/8
38	44 3/8
42	50 3/8
48	56 3/8

Firebox Backwall - 3



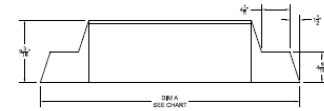
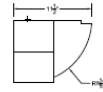
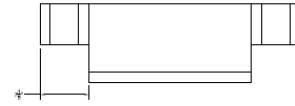
FIREPLACE SIZE	DMA
32	38 3/8
38	44 3/8
42	50 3/8
48	56 3/8

Firebox Backwall – 4



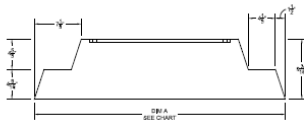
REPLACES	QTY
1A	1
1B	1
1C	1
1D	1

Radius Throat Front



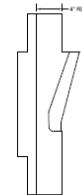
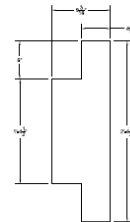
REPLACES	QTY
1A	1
1B	1
1C	1
1D	1

Throat Back

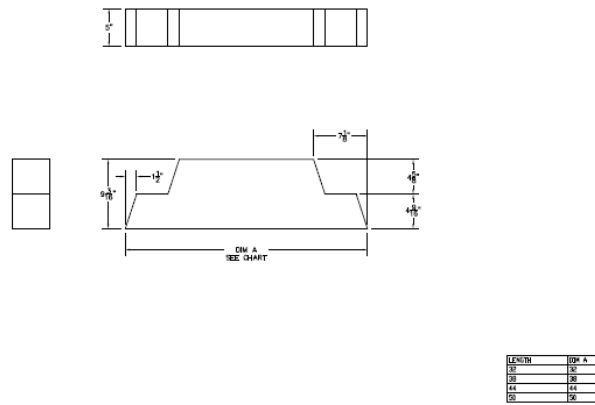


REPLACES	QTY
1A	1
1B	1
1C	1
1D	1

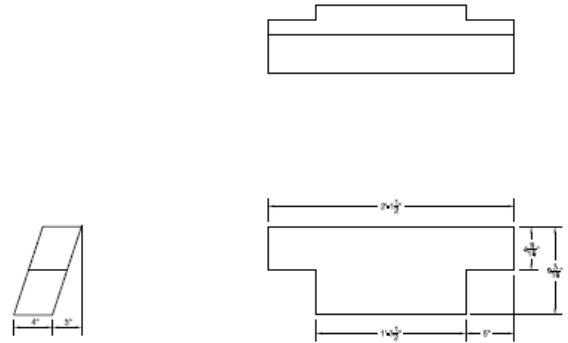
Throat Side



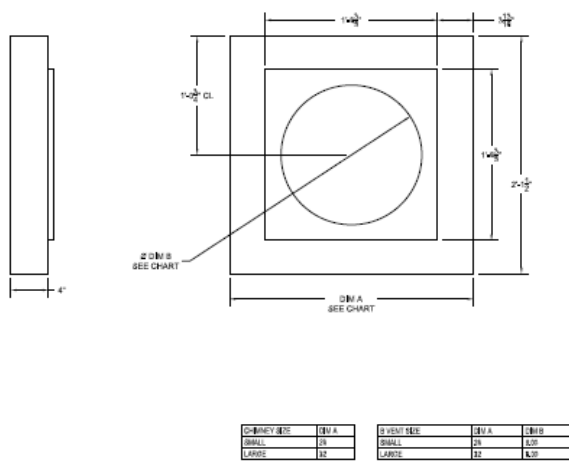
Smoke Chamber Face



Smoke Chamber Side



Chimney Base



Chimney

